

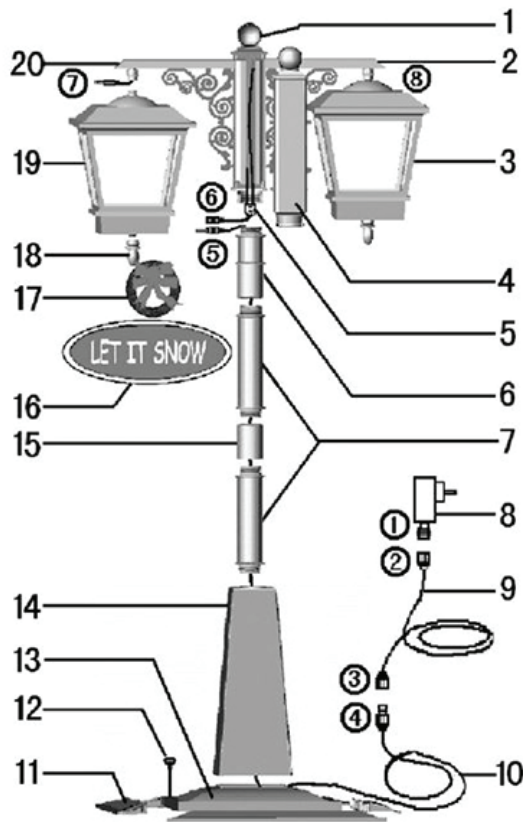
FRASER HILL FARM®

Holiday Décor Assembly, Use & Care Instructions

The model number of your item is printed on the side of your carton.
Always use this number to identify your product.

Thank you for your purchase of this quality Christmas item. With proper use and care, this product will provide you with years of enjoyment. Please follow the instructions on how to assemble and disassemble your item. If you should have any problems with your product, DO NOT return it to the place of purchase. Please call our toll free number at **1-855-591-7451** or email us at **holiday@FraserHillFarm.com** and a Customer Service representative will assist you. Enjoy your Holiday!

Your product includes:



No.	Description	Quantity
1	Top pole cover (rear part)	1
2	L-shape support (right)	1
3	Lamp holder (right)	1 set
4	Top pole cover (front part)	1
5	Y-shaped connection wire	1 set
6	Short lamp-post (6.5in)	1 set
7	Long Lamp-post (17in)	2
8	Adapter (12V AC 1000mA)	1
9	Extended wire (137in)	1
10	Power wire (137in) (59in lamp-post, 79in out of lamp-post)	1
11	Base Trim	1 set (4)
12	Ground nail	1 set (4)
13	Lamp base	1
14	Square base	1
15	Connector of long lamp-post (2.5in)	1
16	Plaque	1
17	Wreath + bowknot	1 set
18	Lamp pendant	2
19	Lamp holder (left)	1 set
20	L-shaped support (left)	1
21	Screws	10

STORAGE TIPS: We suggest saving the carton for storing your item. Store in a cool, dry area where the temperature does not exceed 100°F.

ASSEMBLY INSTRUCTIONS

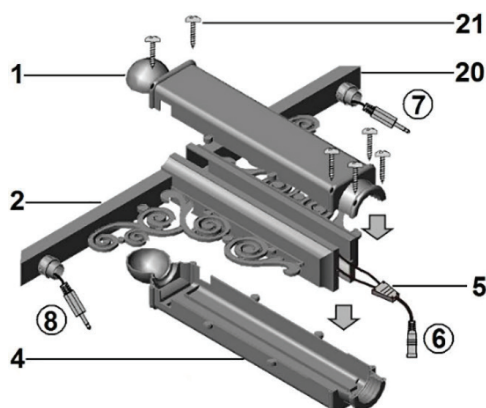
1. Assembly

- **Base & Post Assembly:** First, you will assemble the lamp base and lamp post. Turn the square base (14) and the lamp base (13) upside down then use four screws to join the two together. To stabilize the street lamp, add the base trim (11) to the lamp base (13). **Note:** If the lantern is used outdoors and the lamp base (13) can be secured with the included ground nails (12), the base trim (11) is unnecessary.

Next, assemble the lamp post by joining all four lamp post pieces together (parts 6, 7, and 15). **Note:** Each screw thread must be tightly screwed, or the lamp post will become unstable.

Finally, screw the assembled lamp post to the square lamp base (14). **Note:** Every screw thread must be tightened, or the lamp post may lean.

- **Lamp Support Assembly:** Fasten the two L-shaped supports (parts 2 and 20) together as a whole using the rear and front top pole covers (parts 1 and 4). Refer to the picture below to assemble the L shaped supports. Place the top front pole cover (4) on a flat surface with the opening upwards. Put left and right L-shaped support (parts 2 and 20) in the pole cover (4), and then insert the Y-shaped connection wire (5) and its connector according to the figure. Use the rear top pole cover (1) to cover the above parts and lock into place. Fasten it as a whole lamp support via six small screws.



- **Attaching the Lamp Support Assembly to the Base & Post Assembly:** Lay the assembled lamp post and base down on the floor to thread the power wire (10) through the lamp base and lamp post. After drawing out the power wire's connector through the top of the lamp post and holding it securely, set the lamp post upright on its base, letting the power wire hang over the top.

Draw out the wire connector of the assembled lamp support, then connect it tightly to the power wire hanging out of the assembled lamp post. Put the joined connectors and their wires into the lamp post.

Carefully rotate the lamp support to fasten it securely on the top of the lamp post. **Note:** The screw thread should be tightened as far as possible. The direction of the lamp support can be slightly adjusted to make it match the direction of the lamp base.

ASSEMBLY INSTRUCTIONS

- **Attaching the Lamp Holders (parts 3 and 19) to the Lamp Support:**

Please note before you begin: a. The lamp holders are fragile, and should be handled with care. b. When there is only one lamp holder attached to the lamp support, the street lamp is imbalanced and may fall over, so stay alert. c. The fixed nut must be screwed tightly to be waterproof.

First, take the right lamp holder (3) and insert the plug dangling from the right side of the lamp support into the jack at the top of the lamp holder. Lift the lamp holder upwards so that the wire connection can enter the hole of L-shape support. Then turn the nut to let it tightly fit the thread of the upper part of the lamp holder until the lamp holder and lamp support become a whole. Adjust the direction of lamp holder to your satisfaction and attached the pendant to the bottom of the lamp holder.

Repeat these steps for the left lamp holder (19) on the left side of the lamp support

- **Complete Assembly:** Place your assembled lantern in its designated space where it will NOT be knocked down. If it will be outdoors, please secure it to the ground using the included ground nails (12). Join the connectors of the extended wire (9) to the power wire (10) coming out of the base and the adaptor (8). Make sure the connectors and all parts are tightly screwed together. Plug the adaptor (4) into an indoor power source.

If the lantern is used outdoors, please read and complete the instructions below:

- Screw the nut at the top of each lamp holder tightly to ensure each part is waterproof.
- All connection points must be screwed tightly to avoid water and electricity leakage.
- The adapter itself is NOT waterproof. The connecting point between the adapter and main power MUST be located indoors, free from rain and snow, to avoid electricity leakage and electric shock risk.
- The lamp support ends are equipped with a drip hole, and this hole should be unobstructed.
- The lamp holders should be kept vertical to keep them waterproof.

2. Decorate and Enjoy!

- Place the plaque (16) and the wreath (17) on the lamp post's upper part. (For outdoor installation, the decorations do not have to be attached.)
- Turn on the switch. You should see the snowflakes inside the lantern whirling around and hear the music playing.

Music can be controlled by the switch and turned off when not needed.

- I Music and animation are turned on.
- II Everything is turned off.
- III Animation is turned on (music is off).

IMPORTANT SAFETY INSTRUCTIONS

WARNING

1. This product is for indoor use only. Do not place in direct sunlight.
2. This product is for decoration only and is not a toy. Please use caution with children under the age of 8.
3. Do not position the decoration near candles, sources of heat, or in direct sunlight.
4. The decoration cannot be connected to the power supply directly.
5. Do not break, cut, or alter the power cable.
6. Do not attempt to repair the wiring with staples or nails.
7. Do not place the cable under a carpet or rug as it may get damaged.
8. Ensure that the cable is in a secure location where it is not a hazard.
9. Do not connect the decoration to the power supply while it is still in the packaging.
10. Please switch off the transformer when not in use.
11. Do not leave electric decoration unattended while operating in the ON position.
12. Do not overload the transformer.
13. Decoration should be on a level, stable surface to prevent it from falling over.
14. This product is fragile and should be assembled with care.
15. The product is for indoor use only and is not suitable for outdoor or any location with drafts.
16. Please follow the below steps and requirements specified in the instruction to ensure safety and reliability during the installation.
17. Use caution with children under the age of 8. Children should keep a safe distance to avoid inhaling snow particles and possible suffocation.

1-YEAR LIMITED WARRANTY

"Limited" Warranty Program

For a period of one (1) year after purchase, Fraser Hill Farm ("Manufacturer") will either repair or replace defective components in accordance with this Limited Warranty.

Sales and use taxes, plus shipping and handling charges are the responsibility of the consumer.

This warranty is between Manufacturer and the original purchaser and is valid only when accompanied by the original purchaser's sales receipt showing original date of purchase and location of purchase. Replacements under this warranty revert back to the date of original purchase for future warranty.

Manufacturer or its authorized dealer can accept or reject warranty claims based on its findings. This warranty applies in normal residential use only, where an issue with the product is due to a defect in material or workmanship. Manufacturer can make substitutions as required of materials, components, and sub-components of comparable value and utility. This warranty is limited to product repair or replacement (to be determined solely by Manufacturer). Warranty return is limited to only the single affected component.

This warranty covers only manufacturing defects and does not cover normal wear and tear, abuse or misuse, including: water damage, chemical damage, exposure to extreme heat or cold, abrasion or excessive weight. This product is intended to be used with standard ornaments only. This warranty is invalid if the product is not used for intended purpose. Manufacturer disclaims liability for any aspect of installation and any inconvenience caused by a defective part or component.

Certain items are not covered by this warranty. These include, but are not limited to the following:

1. Components subjected to abuse, including abuse intended to simulate failure.
2. Damages caused by retailer, shipper, or installation crew (such as scratches, dents, tears, etc.).
3. Any part which merely exhibits normal wear yet functions essentially as new, including stretching of materials and stitching.
4. Tears, punctures, scratches or any damage caused by improper installation or use.
5. Items sold "as is" or floor models.

To make a claim, send a copy of the original sales receipt along with a brief description of the problem to the email address below. Please include your email address and daytime telephone or cell phone #. All items may be charged actual freight and handling costs. Repairs or replacement will be made at the Manufacturer's option.

THIS IS THE ENTIRE EXCLUSIVE EXPRESS LIMITED LIABILITY. THE MANUFACTURER NEITHER MAKES NOR IS RESPONSIBLE FOR ANY OTHER WARRANTIES, EITHER EXPRESS OR IMPLIED, INCLUDING THOSE OF RETAILING DEALERS. THIS EXCLUSIVE REMEDY IS LIMITED TO RECEIPT OF A CREDIT IN CONNECTION WITH THE REPAIR OR REPLACEMENT OF ANY PRODUCT OR COMPONENT DEEMED TO BE DEFECTIVE UNDER THE TERMS AND CONDITIONS AS STATED IN THIS WARRANTY. NEITHER FRASER HILL FARM, THE PRODUCT MANUFACTURER NOR ITS AGENTS SHALL BE LIABLE IN ANY CASE FOR INCIDENTAL, INDIRECT, SPECIAL OR CONSEQUENTIAL DAMAGES RESULTING FROM THE USE OF THIS PRODUCT OR ARISING OUT OF ANY BREACH OF THIS WARRANTY OR NEGLIGENCE EVEN IF IT HAS BEEN ADVISED OF THE POSSIBILITY OF SUCH DAMAGES. EXCEPT AS OTHERWISE MAY BE REQUIRED BY LAW, THERE ARE NO OTHER EXPRESS OR IMPLIED WARRANTIES OTHER THAN THE WARRANTY DESCRIBED HEREIN, AND ALL OTHER WARRANTIES, INCLUDING ANY IMPLIED WARRANTY OF MERCHANTABILITY OR FITNESS FOR A PARTICULAR PURPOSE ARE EXPRESSLY DISCLAIMED.

Holiday@FraserHillFarm.com

1-855-591-7451

www.FraserHillFarm.com